

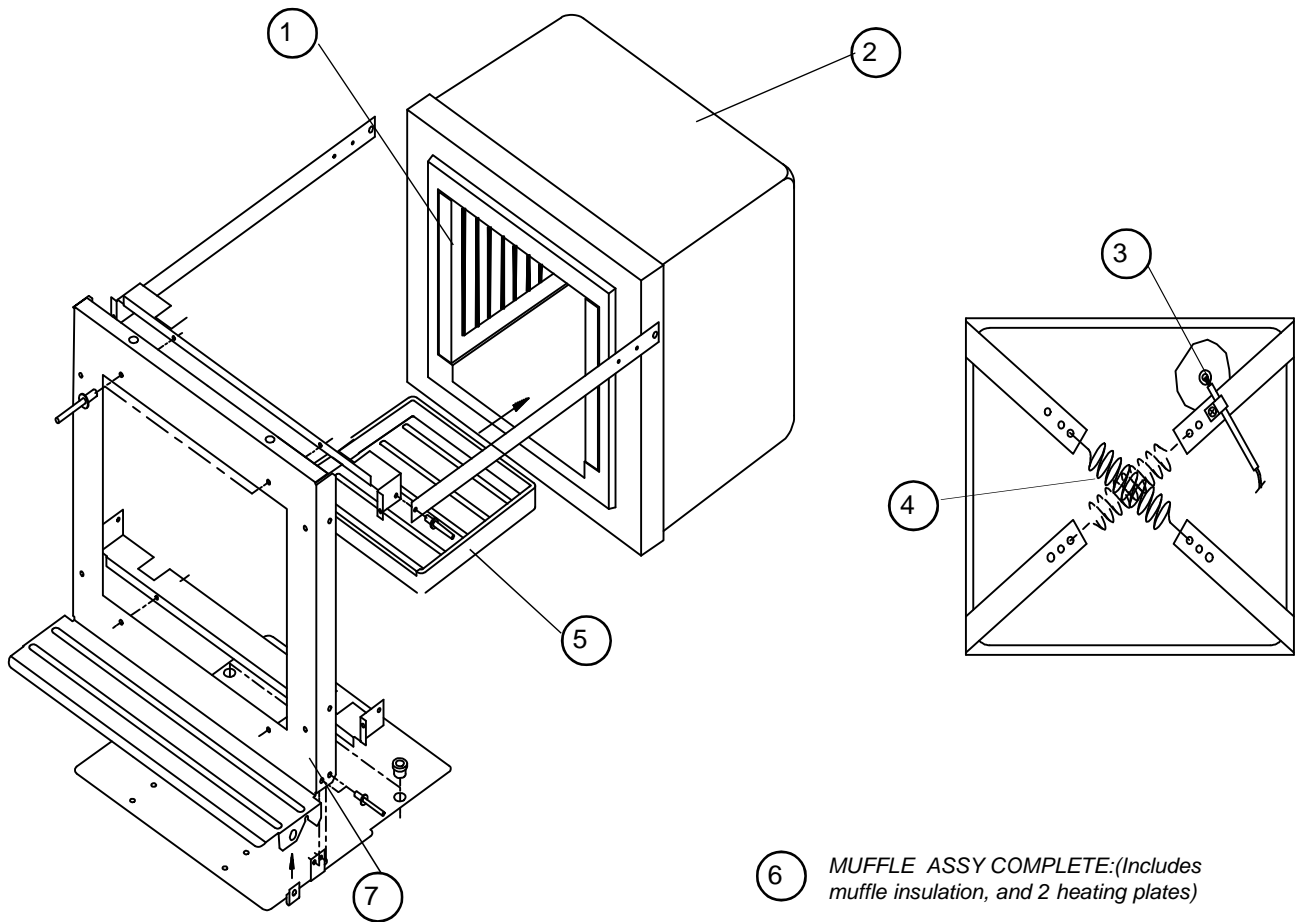
Repair Parts Listing Vulcan Box Furnaces

Item No.	Description	A Control				
		A130 100/120V	230V	A550 100/120V	230V	A1750 230V
1	Heating Plate Assembly	9493340	9493340	9493470	9493364	9493392
2	Muffle Insulation	9493341	9493341	9493361	9493361	Fac Repair
3	Thermocouple	9493342	9493342	9493342	9493342	9491747
4	Muffle Springs	9390705	9390705	9390705	9390705	N/A
5	Floor Tray	9353053	9353053	9353057	9353057	9353060
6	Muffle Assembly Complete	9493422	9493422	9493471	9493423	Fac Repair
7	Front Panel	9493315	9493315	9493355	9493355	9493385
8	Power Cord	9390115	9390117Euro	9390115	9390117Euro	9493653
8	Power Cord (230V US)		9390118 US		9390118 US	9390131 US
9	Rear Panel					
10	Cabinet Assembly	9493320	9493320	9493354	9493354	9493384
11	Socket Assembly		9492909		9492909	
12	Door Safety Switch	9493338	9493338	9493338	9493338	9493338
13	Fan Assembly					
14	Fan Duct Assembly					
15	Door Spring	9493368	9493368	9493908	9493908	9493754
16	Door	9493321	9493321	9493350	9493350	9493380
17	Handle	9390246	9390246	9390246	9390246	9390246
18	Door Insulation	9493325	9493325	9493365	9493365	9493393
19	Door Bottom	9493313	9493313	9493351	9493351	9493381
20	PCB Control	R9493348	R9493449	R9493349	R9493450	R9493451
21	Fuse (9390072 S/N 9525 & earlier)	9320072	9320072	9320072	9320072	9320072
22	Relay					9320075
23	Triac	9303015	9303015	9303015	9303015	9303015
24	Overlay/Membrane Switch	9354229	9354229	9354230	9354230	9354231
25	Power Switch	9306038	9306038	9306038	9306038	9306038
26	Knob	9355026	9355026	9355026	9355026	9355026
27	Pyrometer	9390451	9390451	9390451	9390451	9390451
28	Control Drawer	9493316	9493316	9493356	9493356	9493386
29	Terminal Block					
30	PCB Display					
31	Brace					
32	Bracket; Motor Linkage					
33	Bracket; Motor					
34	Motor Power Door					
35	Spring					

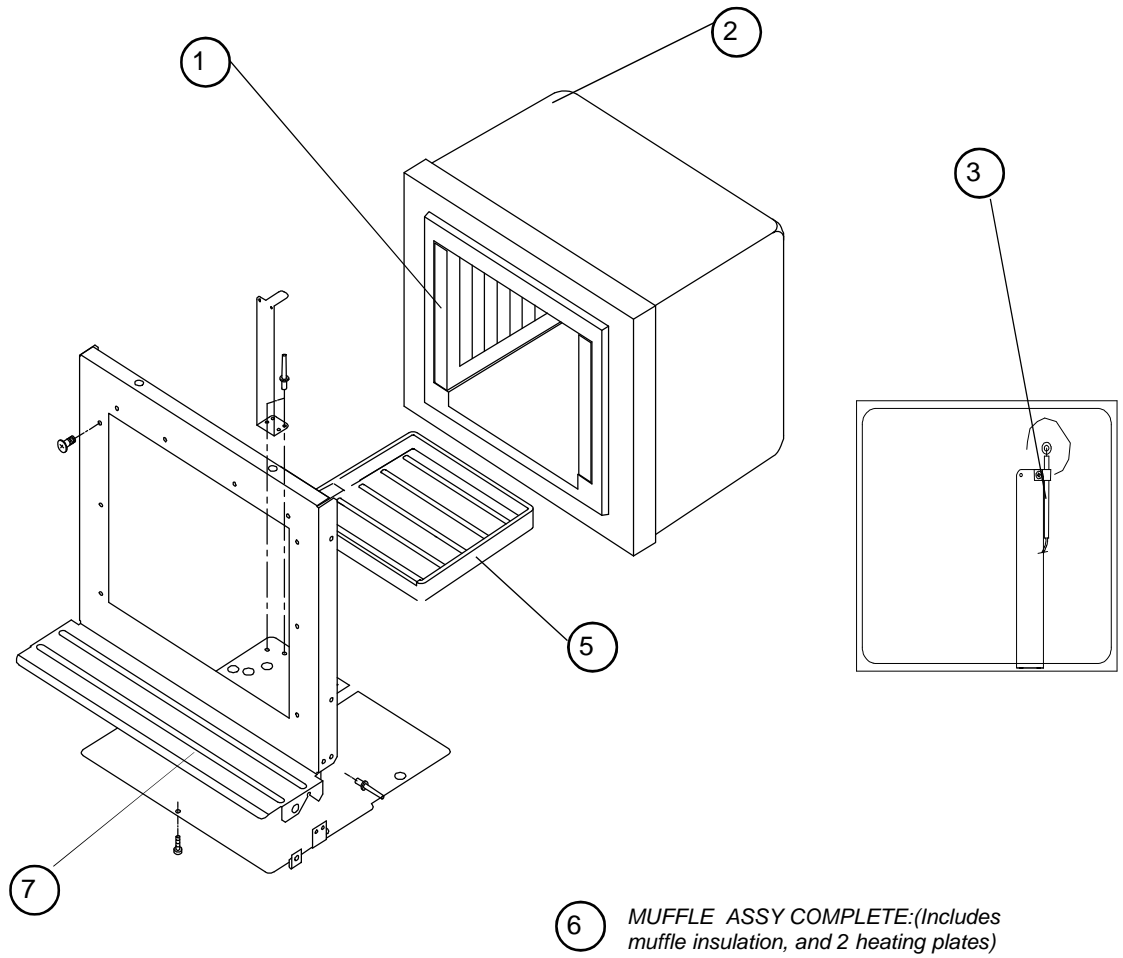
Item No.	Description	3 Stage				
		3-130 100/120V	230V	3-550 100/120V	230V	3-1750 230V
1	Heating Plate Assembly	9493340	9493340	9493470	9493364	9493392
2	Muffle Insulation	9493341	9493341	9493361	9493361	Fac Repair
3	Thermocouple	9493342	9493342	9493342	9493342	9491747
4	Muffle Springs	9390705	9390705	9390705	9390705	N/A
5	Floor Tray	9353053	9353053	9353057	9353057	9353060
6	Muffle Assembly Complete	9493422	9493422	9493471	9493423	Fac Repair
7	Front Panel	9493315	9493315	9493355	9493355	9493385
8	Power Cord	9390115	9390117Euro	9390115	9390117Euro	9493653
8	Power Cord (230V US)		9390118 US		9390118 US	9390131 US
9	Rear Panel					
10	Cabinet Assembly	9493320	9493320	9493354	9493354	9493384
11	Socket Assembly		9492909		9492909	
12	Door Safety Switch	9493338	9493338	9493338	9493338	9493338
13	Fan Assembly					
14	Fan Duct Assembly					
15	Door Spring	9493368	9493368	9493908	9493908	9493754
16	Door	9493321	9493321	9493350	9493350	9493380
17	Handle	9390246	9390246	9390246	9390246	9390246
18	Door Insulation	9493325	9493325	9493365	9493365	9493393
19	Door Bottom	9493313	9493313	9493351	9493351	9493381
20	PCB Control	R9493446	R9493447	R9493446	R9493447	R9493447
21	Fuse (9390072 S/N 9525 & earlier)	9390071	9390071	9390071	9390071	9390071
22	Relay					9320075
23	Triac					
24	Overlay/Membrane Switch	9354231	9354231	9354231	9354231	9354231
25	Power Switch	9306038	9306038	9306038	9306038	9306038
26	Knob					
27	Pyrometer					
28	Control Drawer					
29	Terminal Block	9390487	9390487	9390487	9390487	9390487
30	PCB Display	R9493347	R9493347	R9493347	R9493347	R9493347
31	Brace					
32	Bracket; Motor Linkage					
33	Bracket; Motor					
34	Motor Power Door					
35	Spring					

Item No.	Description	PD		Air Exchange	
		120V	230V	550A	1750A
1	Heating Plate Assembly	9493470	9493364		
2	Muffle Insulation	9493780	9493780		
3	Thermocouple	9493342	9493342	9493342	9493342
4	Muffle Springs				
5	Floor Tray	9353057	9353057	9353057	9353057
6	Muffle Assembly Complete	9493779	9493778	9493996	Fac Repair
7	Front Panel	9493808			
8	Power Cord	9493470	9493364		
8	Power Cord (230V US)				9390131 US
9	Rear Panel	9493534	9493534		
10	Cabinet Assembly	9493807	9493807		
11	Socket Assembly		9493909		
12	Door Safety Switch	9493338	9493338		
13	Fan Assembly			9493986	9493986
14	Fan Duct Assembly			9493970	9493970
15	Door Spring				
16	Door				
17	Handle				
18	Door Insulation				
19	Door Bottom				
20	PCB Control	R9493446	R9493447	R9493447	R9493447
21	Fuse (9390072 S/N 9525 & earlier)	9390071	9390071		
22	Relay				
23	Triac				
24	Overlay/Membrane Switch	9354226	9354226	9494063	9494063
25	Power Switch	9306038	9306038	9306038	9306038
26	Knob				
27	Pyrometer				
28	Control Drawer				
29	Terminal Block	9390487	9390487		
30	PCB Display	R9493347	R9493347		
31	Brace	9493363	9493363		
32	Bracket; Motor Linkage	9493532	9493532		
33	Bracket; Motor	9493362	9493362		
34	Motor Power Door	9493777	9493777		
35	Spring	9356016	9356016		

A- CONTROL & 3 STAGE

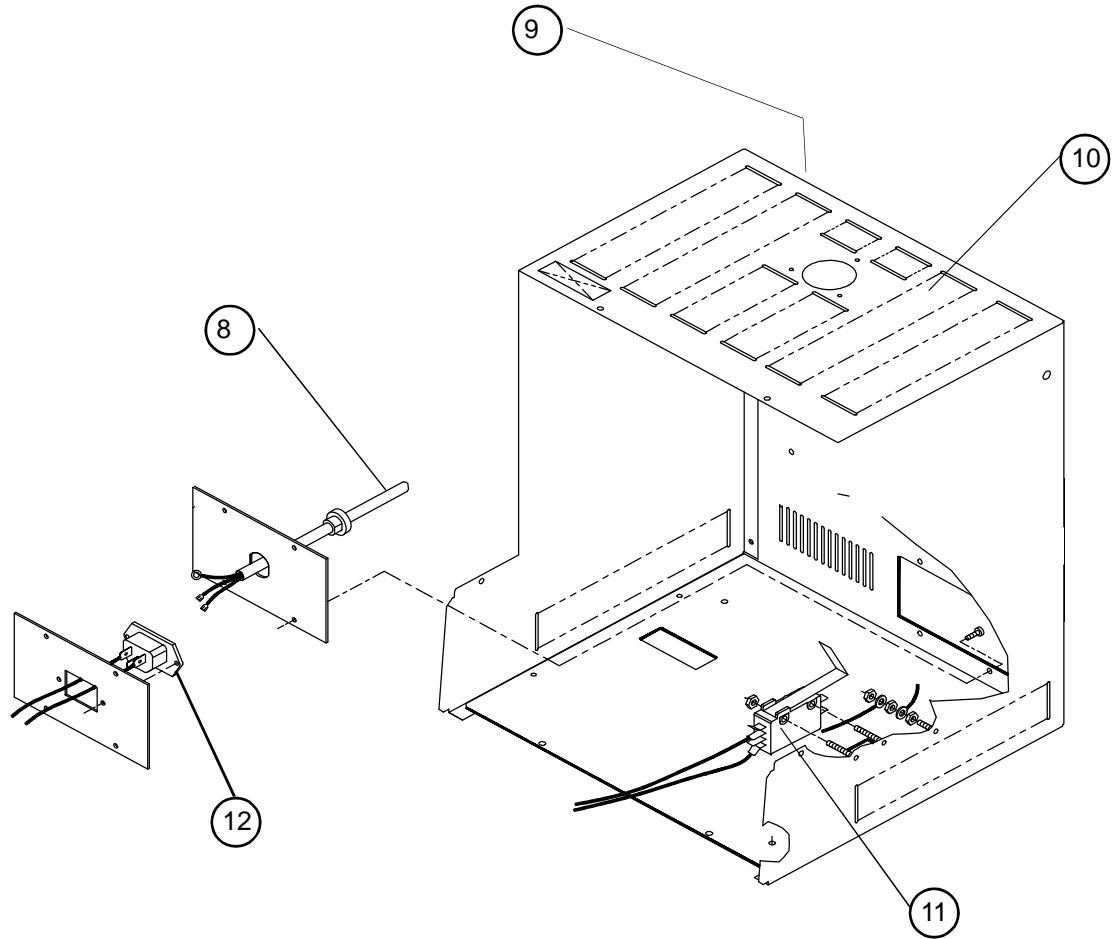


3-550A & 3-550PD

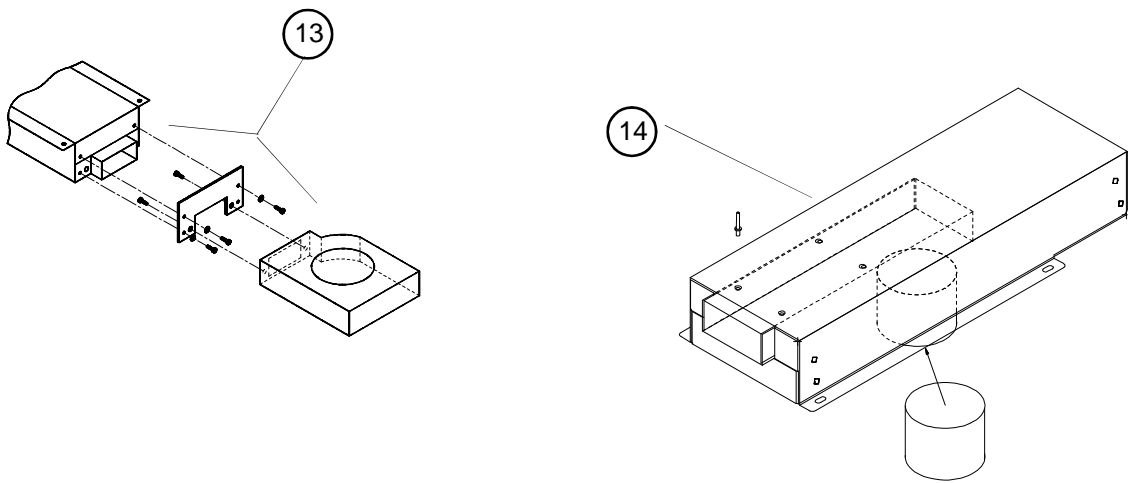


6 MUFFLE ASSY COMPLETE: (Includes muffle insulation, and 2 heating plates)

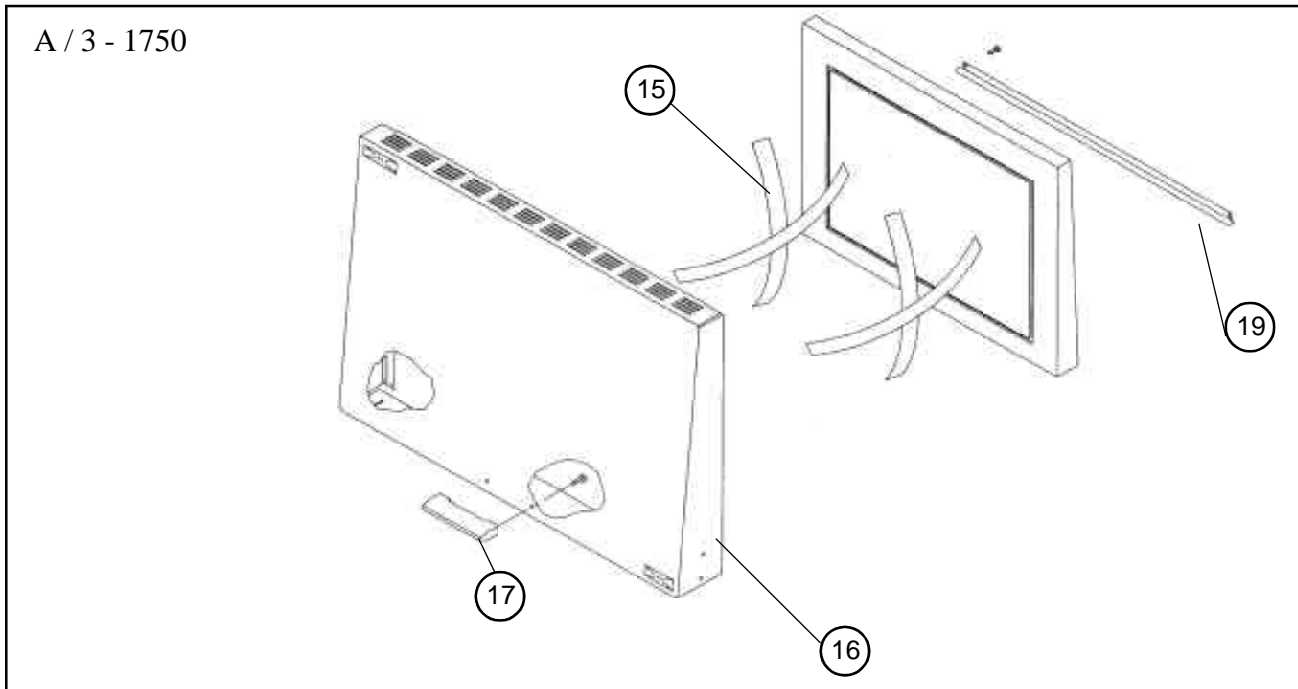
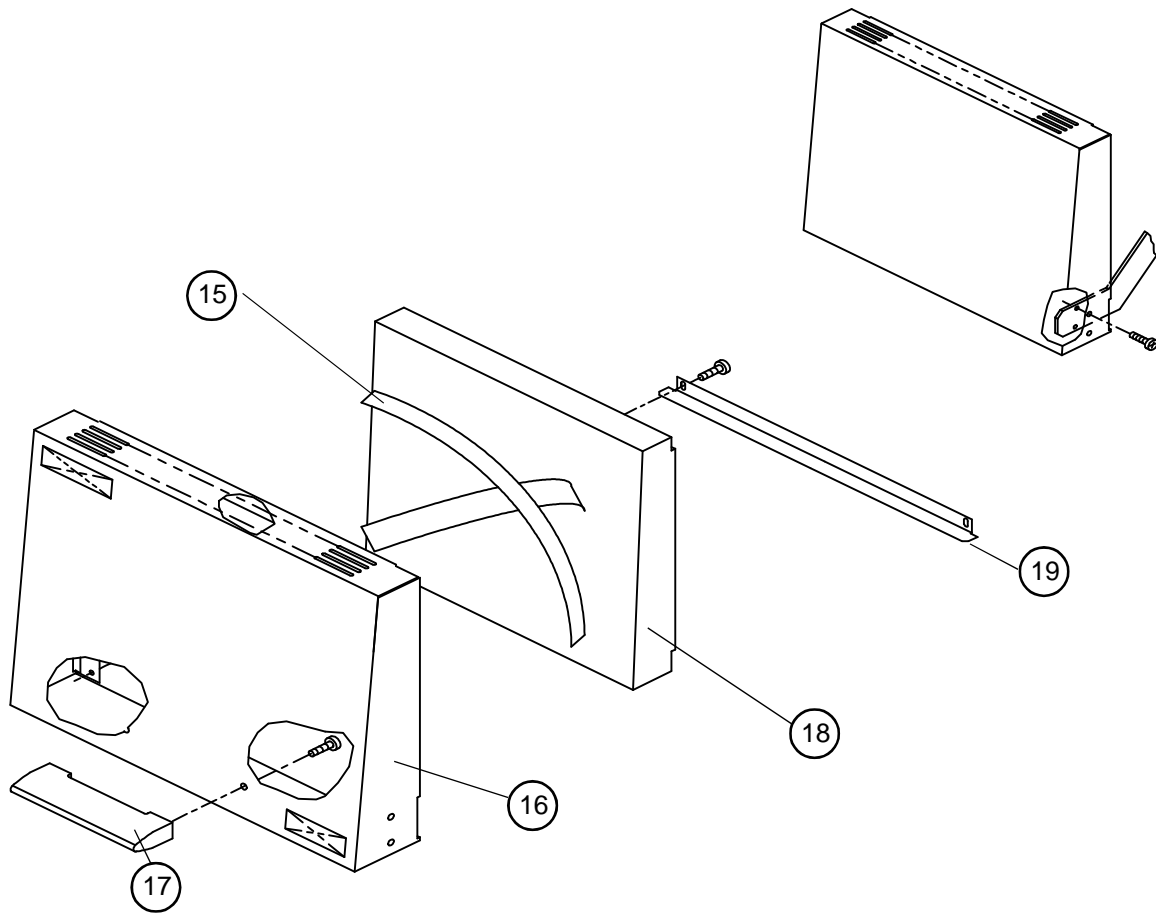
A- CONTROL, 3 STAGE & 3-550 PD



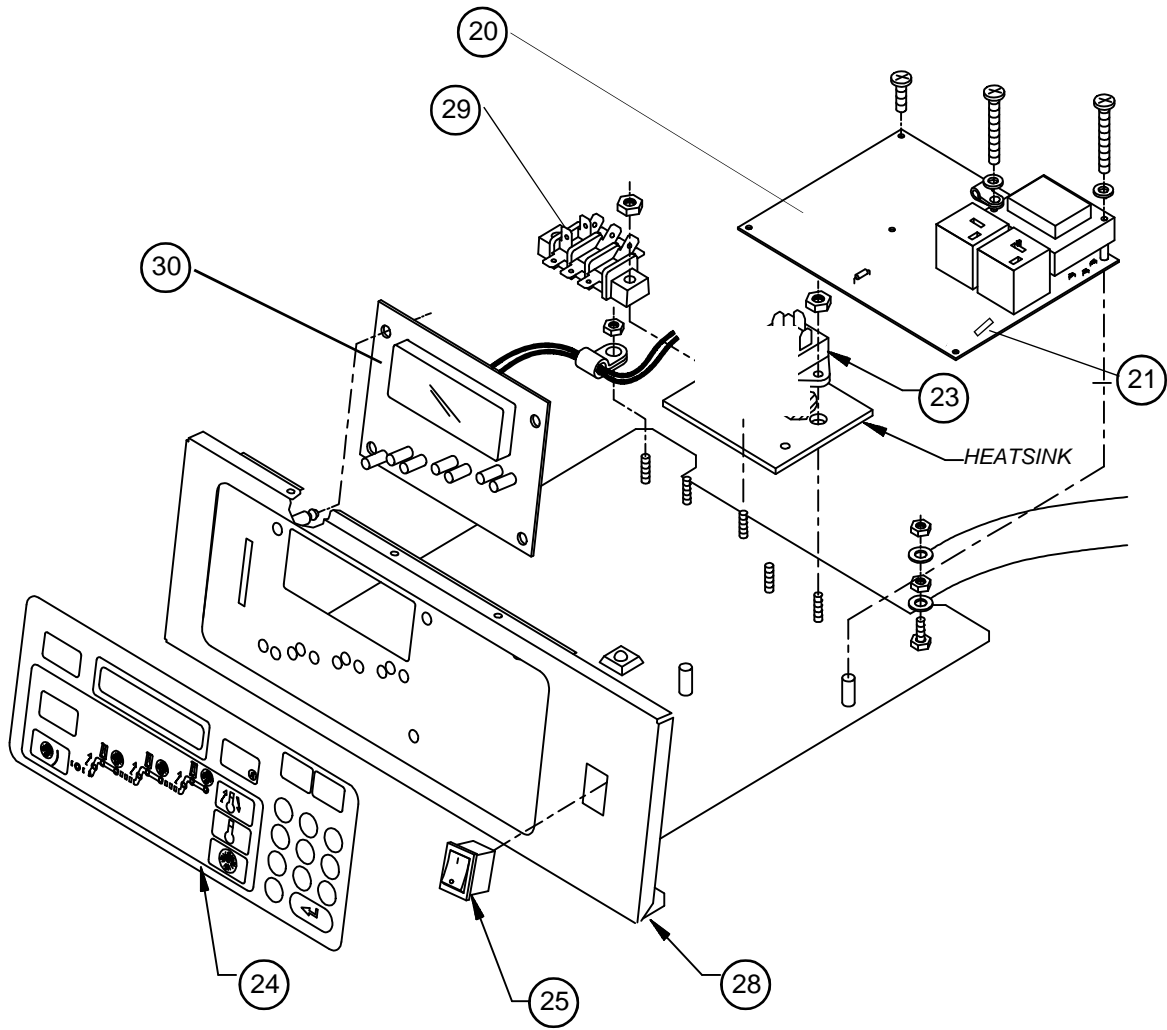
3-550A & 3-1750A



A- CONTROL & 3 STAGE



3 STAGE



3 STAGE & 3-550 PD

