

Grinder Polishers

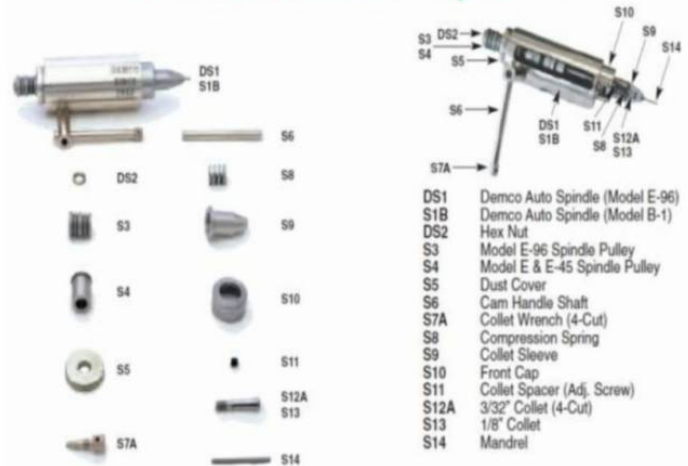
Parts for polishers and grinde



AUTOMATIC SPINDLE PARTS - DEMCO

AUTOMATIC SPINDLE PARTS - DEMCO

DEMCO Automatic Spindles



- DS1 Demco Auto Spindle (Model E-96)
- S1B Demco Auto Spindle (Model B-1)
- DS2 Hex Nut
- S3 Model E-96 Spindle Pulley
- S4 Model E & E-45 Spindle Pulley
- S5 Dust Cover
- S6 Cam Handle Shaft
- S7A Collet Wrench (4-Cut)
- S8 Compression Spring
- S9 Collet Sleeve
- S10 Front Cap
- S11 Collet Spacer (Adj. Screw)
- S12A 3/32" Collet (4-Cut)
- S13 1/8" Collet
- S14 Mandrel

OTHERS SPINDLE PARTS

Code	Name	Price	+
106-S12A	DEMCO- Collect (Only Chuck) 3/32 (4-Cut) For Automatic Spindles E96 Demco D-S1 &...	US\$ 32.40	+Info
106-DS2	DEMCO - D-S1 & S1-B Hex Nut Demco Automatic Spindles #DS2	US\$ 8.00	+Info

MODEL B-1 PARTS - DEMCO

MODEL B-1 PARTS - DEMCO



- B2 Model B-1 Motor Only (115V)
- B2-220 Model B-1 Motor Only (220V)
- B3 Motor Pulley
- B4 Model B-1 Motor Belt
- B6 Speed Control Circuit Board (115V)
- B6-230 Speed Control Circuit Board (230V)
- B7 Speed Control Potentiometer
- B7A Knob
- B7B Dial Plate
- B8 Belt Cover Knurled Nut
- B9 Belt Cover Washer (large)
- B10 Belt Cover Screw
- B11 Belt Cover Washer (small)
- B13 Screen
- B14 Cross Bar
- B15 Safety Glass Frame & Shield
- B16 Safety Glass Shield
- B17 Light Transformer
- B18 Light Socket Assembly
- B19 High Intensity Light Bulbs
- B20 Lamp Shade
- B21 Lamp Shade Button
- B22 Plug-in Cord
- B23 Fuse Holder
- B24 Fuse
- B26BAL Motor Brushes
- B26GE Motor Brushes
- B26LE Motor Brushes
- B28A Brush Cap (Set of 2)
- B30 Belt Cover
- B35 Bent Rod

FUSES

Code	Name	Price	+
106-B24	DEMCO - B-1 Polisher/Grinder Fuse #B24	US\$ 5.17	+Info

Parts for polishers and grinde - RAY FOSTER

Parts for polishers and grinde - RAY FOSTER

Code	Name	Price	+
470864	Collets for Spindles Fits F035	US\$ 59.20	+Info

470922	Belt for Demco E-96	US\$ 59.86	+Info
473744	B603 Potentiometer w/ switch	US\$ 30.03	+Info
473745	B603A Potentiometer Assembly	US\$ 49.14	+Info
473946	Resistor .05 for 1/4 HP	US\$ 19.29	+Info

MODEL E-96 PARTS - DEMCO

MODEL E-96 PARTS - DEMCO



BEARING

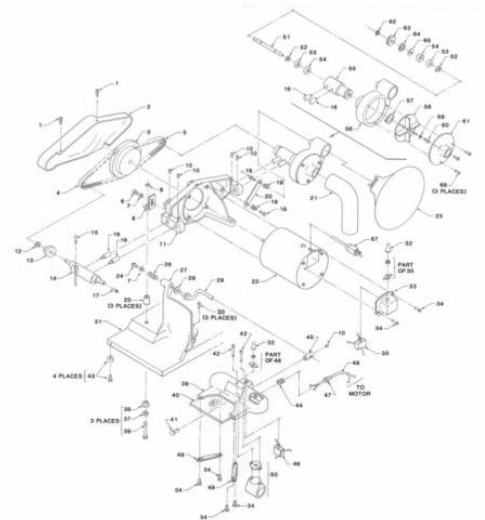
Code	Name	Price	+
114865	DEMCO - DS1-E96 Large Bearing #S28	US\$ 17.44	+Info

MOTOR FUSE

Code	Name	Price	+
106-E50	DEMCO - E-96 Polisher/Grinder Motor Fuse (6.3 Amp) E96-230 Grinder #E50	US\$ 5.22	+Info

REPLACEMENT PARTS FOR GRINDERS - RAY FOSTER

REPLACEMENT PARTS FOR GRINDERS - RAY FOSTER



COLLET

Code	Name	Price	+
F106	RAY FOSTER - F106 Ray Foster Collect for grinder (Only Chuck) 3/32 For Automatic...	US\$ 59.20	+Info

DUST BAG

Code	Name	Price	+
101707	RAY FOSTER - Dust Bag - Replacement part for alloy grinder - R#V585	US\$ 48.00	+Info
114858	RAY FOSTER - Dust Bag For Alloy Grinder #V585	US\$ 48.00	+Info

GRINDER BELT

Code	Name	Price	+
101701	RAY FOSTER - Belt Replacement for Alloy Grinder -Spindle Drive AG04 24in (609mm...	US\$ 40.00	+Info
101702	RAY FOSTER - Belt Replacement for Alloy Grinder - 21in (533mm) - 3-V - Vacuum ...	US\$ 40.00	+Info
101703	RAY FOSTER - Belt Replacement for Alloy Grinder - 20in (508mm) - 3-V - Spindle...	US\$ 40.00	+Info

LIGHTS

Code	Name	Price	+
114863	RAY FOSTER - LDouble Light Socket - R#L418	US\$ 27.20	+Info
114862	RAY FOSTER - Light Switch Toggle For AG04 - R#L412	US\$ 25.60	+Info
114860	RAY FOSTER - Switch Rocker For AG03 - AG05 #R414	US\$ 20.80	+Info

MOTOR REPLACEMENT

Code	Name	Price	+
114857	RAY FOSTER - Ray Foster - Motor 1/3 HP 3450 RPM #R300	US\$ 322.56	+Info
114859	RAY FOSTER - Motor Switch Toggle For AG04 #M081	US\$ 25.60	+Info

SAFETY GLASS

Code	Name	Price	+
114861	RAY FOSTER - Safety Glass - R#L405	US\$ 32.00	+Info
101708	RAY FOSTER - Safety Glass Replacement for grinder - R#L405	US\$ 32.20	+Info

SPINDLE BEARING - ECCO

SPINDLE BEARING - ECCO



Code	Name	Price	+
115140	BESQUAL Spindle Rear Bearing 608 1pk - (small one) #HP-BRG608 (you need 1 for...	US\$ 17.92	+Info

115139	BESQUAL Spindle Rear Bearing R4 1pk - (big one) #HP-BRGR4 (you need 3 BEARING...	US\$ 17.92	+Info
--------	---	------------	-----------------------

Catalog Index / Indice

Parts for polishers and grinde 1